



100 RegO Drive PO Box 247 Elon, NC 27244 USA Phone (336) 449-7707 Fax (336) 449-6594 www.regoproducts.com

PU 228
11/8/12

New From RegO

3-1/4" M-ACME X 3" M-NPT Adapter with Vent Valve and Integral Stainless Steel Screen 5769KVB

Application

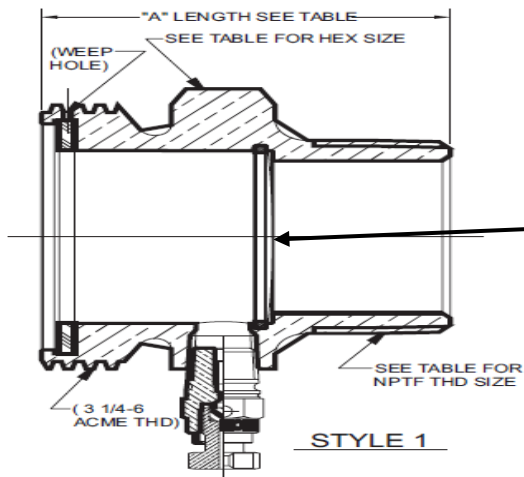
The 5769KVB adapter is designed to prevent debris from entering and impeding the action of valves and components in LPG piping systems at bulk and industrial plants.

Features

- Meets NFPA 58 requirements for liquid transfer.
- Stainless steel screen installed
- Vent valve installed

Materials

Body..... Brass
ScreenStainless Steel
Gasket.....Resilient Rubber



Ordering Information

Part Number	Style	Gasket Qty	ACME Thread	Vent Valve	Hex size	Thread	"A" Length
5769VKB	1	1	3-1/4" M-ACME	3165C	3-1/2"	3" M-NPTF	3.625"