



100 RegO Drive PO Box 247 Elon, NC 27244 USA Phone (336) 449-7707 Fax (336) 449-6594 www.regoproducts.com

PU 227
11/8/12

New from RegO

3195S and A3195S ACME Hose Couplings for Liquid or Vapor Service with Integral Screen

Application

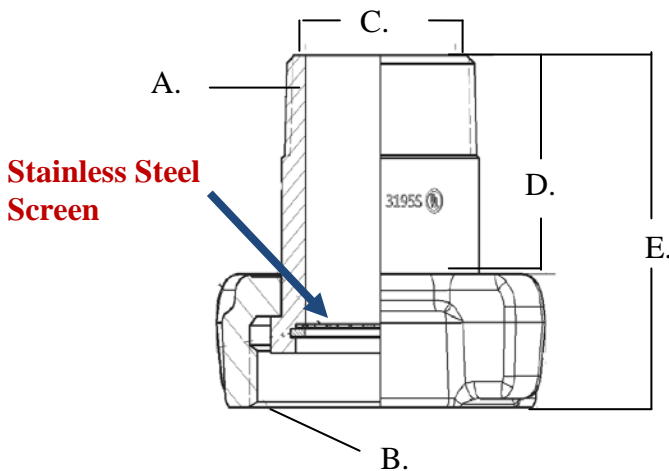
The 3195S/A3195S Hose Couplings are designed to prevent debris from entering and impeding the action of valves and components in LPG piping systems at bulk and industrial plants.

Features

- Meets NFPA 58 requirements for liquid transfer.
- Stainless steel screen installed in the tail piece of the hose coupling.

Materials

Tail PiecePlated Steel
 Coupling Nut (3195S)..... Brass
 Coupling Nut (A3195S)..... Plated Steel
 ScreenStainless Steel



A3195S

Ordering Information

Part Number	Material	Style	A. Hose Connection (M-NPT)	B. Coupling Connection (F-ACME)	C. Tail Piece Bore	D. Hose End to Nut	E. Overall Length
3195S	Brass & Steel Nipple	B	2"	3-1/4"	1- 13/16"	2-1/8"	3-5/8"
A3195S	Steel						