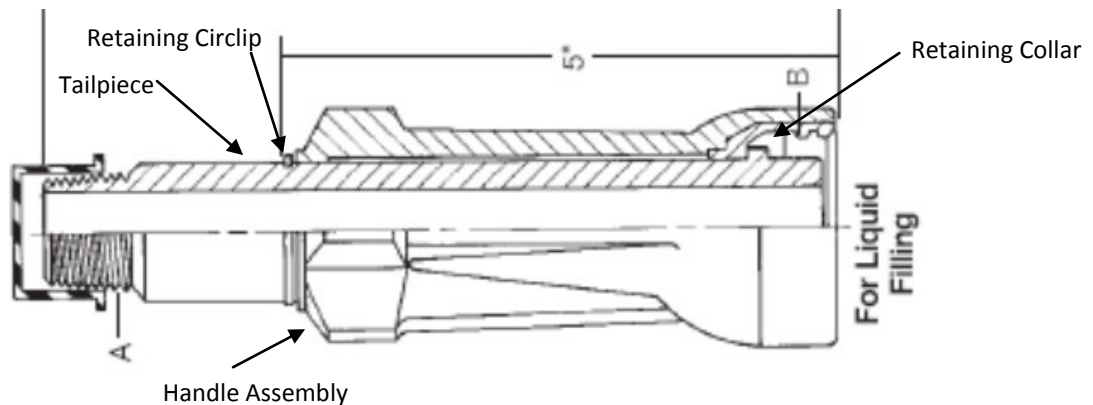


Warning, Maintenance and Technical Alert

IMPORTANT UPDATE

Our earlier alert advised of an incident involving a RegO Product. It has now been revealed that the product concerned is not a RegO Product.



Nonetheless we recommend: Inspection of the RegO A7575L4 by removing the retaining circlip from the tailpiece and sliding the handle assembly back to reveal the collar.

How much wear is safe: This factor is still being researched and will be posted under 'News' at gameco.com.au later this week.

We remind you of the following general warning:

Warning

All REGO® products are mechanical devices that will eventually become inoperative due to wear, corrosion and aging of components made of materials such as rubber. The environment and conditions of use will determine the safe service life of these products. Periodic inspection and maintenance are essential to avoid serious injury and property damage.

Many REGO® products are manufactured for storage, transport, transfer and use of toxic flammable and dangerous liquids and gases. Such substances should be handled by experienced and trained personnel only, using accepted governmental and industrial safety procedures. Never vent LP-Gas near any possible source of ignition.



Gameco (NSW) Pty Ltd

ABN: 93 001 367 862

Sydney: (02) 9648 5856

Melbourne: (03) 9480 3633

Brisbane: (07) 3377 7999

Web: gameco.com.au

8 July, 2013